



PUMPIRAN

ISO 9001 - 2001 CERTIFIED
OHSAS 18001 CERTIFIED
ISO 9001 - 2000 CERTIFIED

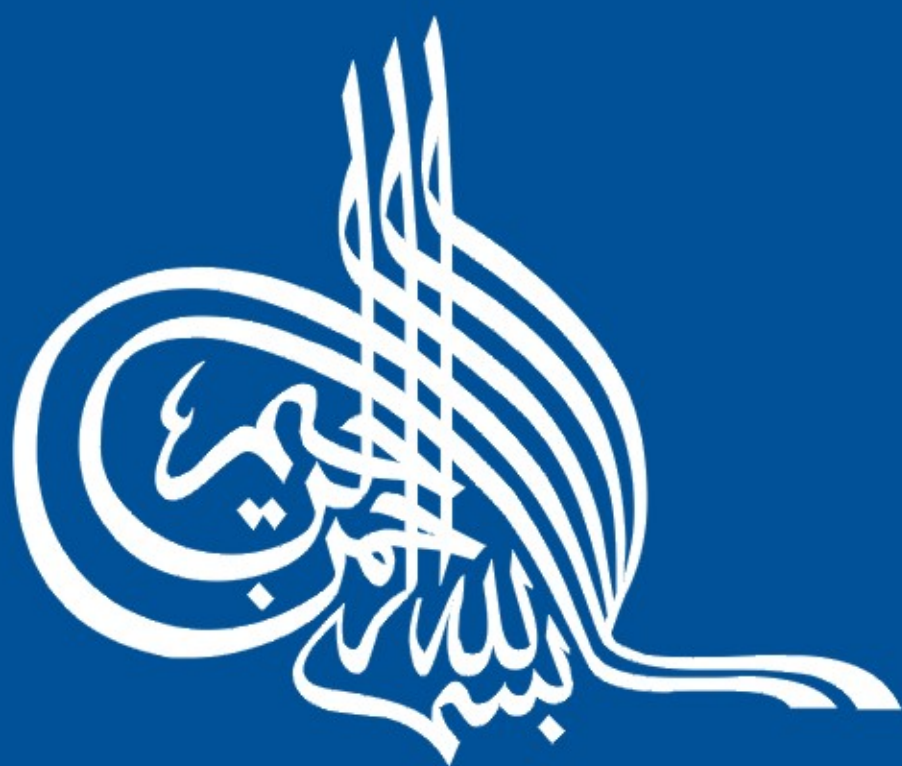


Low Pressure Centrifugal Pumps

German Technology

Info@pumpiran.com

www.pumpiran.com





OVERVIEW

PUMPIRAN was established in 1973 in Tabriz for producing various kinds of pumps for water, wastewater, fire fighting, irrigation, agricultural, pressure boosting and industrial applications. Since after the establishment of the company, the board of management has endeavored to achieve the highest quality standards in the pump manufacturing at Pumpiran. The management pledged it's full support to produce the pumps with highest quality standards to serve the domestic as well as international market.

Pumpiran management therefore decided to enter into a technology transfer agreement to acquire technology from world leading pump manufacturing company's of western Europe to establish a world class manufacturing unit at Tabriz industrial estate. So they made an agreement with **KSB Germany** to transfer the technology for complete design, engineering and manufacturing of various kinds of pumps for water, wastewater and industrial applications.

Enjoying this technical knowledge **PUMPIRAN** has successfully been able to produce the pumps with international quality standards to serve the local & international markets at a highly competitive price, with shortest delivery time and at highest quality standards.

PUMPIRAN factory is spread over at total area of 87,500 sqm, out of which 40,000 sqm has been constructed for factory workshop, office complex, test bed facility and administration block in Tabriz.

The company employed total around 400 people as permanent strength working in various department including marketing, production and administration departments.

PUMPIRAN is listed with Tehran stock exchange with around 3000 share holders on board.

PUMPIRAN is manufacturing various kinds of pumps which includes high pressure centrifugal multistage pumps, end suction centrifugal pumps, submersible pumps / turbine pumps, Non Clogging Centrifugal Pumps & split case pumps.

PUMPIRAN produces around 50,000 Pumps per year on average for serving domestic as well as international market.

GROUP COMPANIES

NAVID SAHAND Manufacturer of various kinds of Sewage & Drainage Pumps, Non Clogging Centrifugal Pumps, Mixed Flow & Propeller Pumps, Oil and Petrochemical Pumps (API)

NAVID MOTOR Manufacturer of various kinds of Industrial & Domestic Electric Motors and Special Pumps.

PERSIA PUMP Manufacturer of various kinds of Centrifugal Pumps and Special Pumps.





PUMPIRAN
German Technology

SEM NAN ENERGY Manufacturer of various kinds of Hot Water Circulating Pumps and Domestic Pumps.

TO LOMBE SAZAN After Sale Service and Spare Parts Distribution.

RASHA Manufacturer of various kinds of Foundry Parts.

MOIN ABSHAR Designing and Installation of Pumping Stations.

PEYVAND AVIJEH Import, Export and Consulting.

PUMPIRAN produces its products with strict compliance to international quality standard and had obtained ISO 9001-2000 Quality Certification.

PUMPIRAN is striving hard for success and development in the future and has taken steps to:

- Increase the variety of products.
- Produce new pumps according to new needs.
- Reduce delivery time.
- Invest in industries related to pump and motor fields.
- Always improve quality.
- Always achieve customer satisfaction.

PRODUCT RANGE

- Deep well submersible pumps.
- Deep well turbine (line shaft pumps).
- Double Suction pumps.
- Centrifugal pumps (According to DIN 24255).
- Centrifugal pumps (High pressure, multistage).
- Centrifugal pumps (Close coupled).
- Centrifugal pumps (Sludge pump).
- Hot water circulating pumps.
- Boiler feed pumps.
- Submersible drainage and de watering pumps.
- Submersible sewage pumps.
- Mixed flow and propeller submersible pumps.
- Oil and petrochemical pumps.
- Industrial and domestic electric motors.





Selection of Low Pressure Centrifugal Pump

Example: The pump is required to be selected for the following.

| Hydraulic Parameters | |
|----------------------|----------------------|
| Flow Rate | 50 M ³ /h |
| Head | 29 M |

To select a suitable pump for above hydraulic parameters, Follow the Following steps.

1- SELECTING THE LOW PRESSURE PUMP SIZE:

To select the pump size we first refer to the “**Performance Range of Low Pressure Pumps**” where we have the following two options to select a pump. One option is to select a pump at slow speed i.e at 1450 rpm & the 2nd option is to select a pump at high speed i.e at 2900 rpm.

- A) Pump type 65-315 at 1450 rpm
- B) Pump type 50-160 at 2900 rpm

As the wear of the high speed pumps is more for continuous operation, it is advised to select “A” and if the operation is intermittent, to select “B” Assuming we have continuous operation, then we select “A” and refer to the hydraulic performance curve for the Low Pressure Centrifugal Pumps curve for 65-315 with 1450 rpm (Low) speed.

2- DETERMINATION OF IMPELLER DIA.

The hydraulic curves are for one stage only, with different impeller diameters. Therefore looking at the capacity 50 m³/h and the head of 29m, it is necessary to select the correct impeller size giving the Hydraulic parameter capable of meeting the above requirement for satisfactory operation of centrifugal pump.

In this example, the head of single stage impeller for the capacity of 50 m³/h is 29m. The corresponding Impeller diameter shall be 310mm. Therefore the required pump is a centrifugal type 65-315, 1450 1/min with impeller diameter 310 or:

65-315a (O 310), 1450rpm

(The character “a” indicates that the impeller has been trimmed down.)





PUMPIRAN
German Technology

Selection of Low Pressure Centrifugal Pump

3- PUMP EFFICIENCY:

Considering the impeller dia, and capacity of 50m³/h of the pump at 29m head the selected point lies on the performance curve between 65% & 66%. Hence the efficiency of the selected pump shall be 65.2%.

4- SELECTION OF ELECTRIC MOTOR:

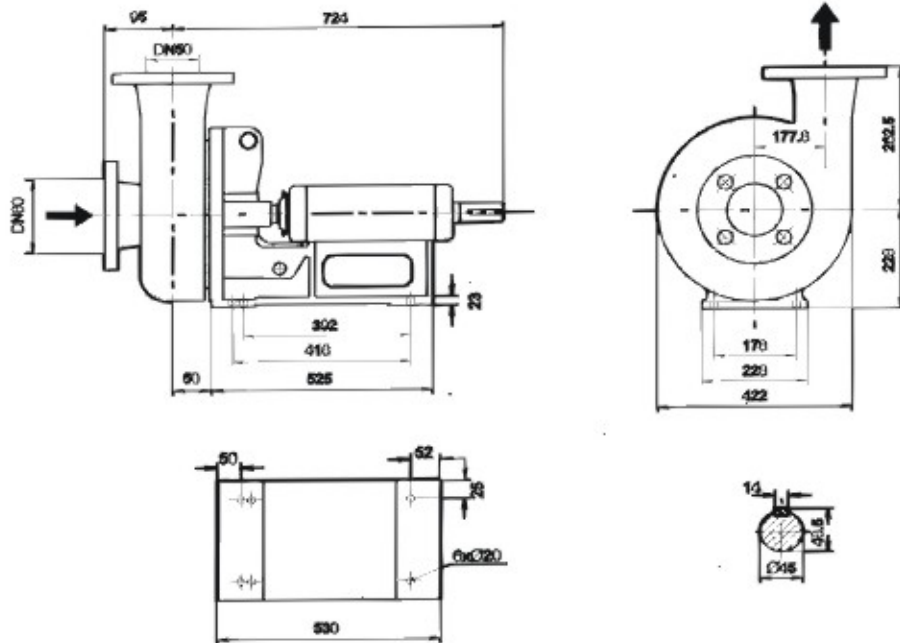
In order to select the electric motor, we pick the end of the power curves for Impeller size Ø310. This is 8.2kW. Therefore a 11 kW, 1450 rpm electrometer has been selected for safe operation.





PUMPIRAN
German Technology

**HEAVY DUTY SLUDGE
PUMP
HDS 50-300**



| RPM 1450 | Capacity (m ³ /h) | | | | | Imp. Dia. (mm) | Pump Range (mm) | | Motor Characteristics | | | Pipe Dia. (Inch) | |
|-------------|------------------------------|------|------|------|------|-------------------|--------------------|--------|-----------------------|------|----------|---------------------|--------|
| | 40 | 50 | 60 | 70 | 80 | | Inlet | outlet | Power * | | I Amp | Inlet | outlet |
| | | | | | | | | | kW | HP | | | |
| Head (m) | 14.0 | 40.0 | 38.6 | 36.8 | 34.4 | 330 | 80 | 50 | 18.5 | 25.0 | 36.5 | ** | *** |
| | 36.5 | 35.3 | 33.6 | 31.4 | 29.0 | 320 | | | 18.5 | 25.0 | 36.5 | | |
| | 30.1 | 29.0 | 27.2 | 25.7 | 23.0 | 290 | | | 15.0 | 20.0 | 32.0 | | |
| | 24.5 | 23.1 | 21.5 | 19.0 | 15.5 | 270 | | | 11.0 | 15.0 | 23.8 | | |

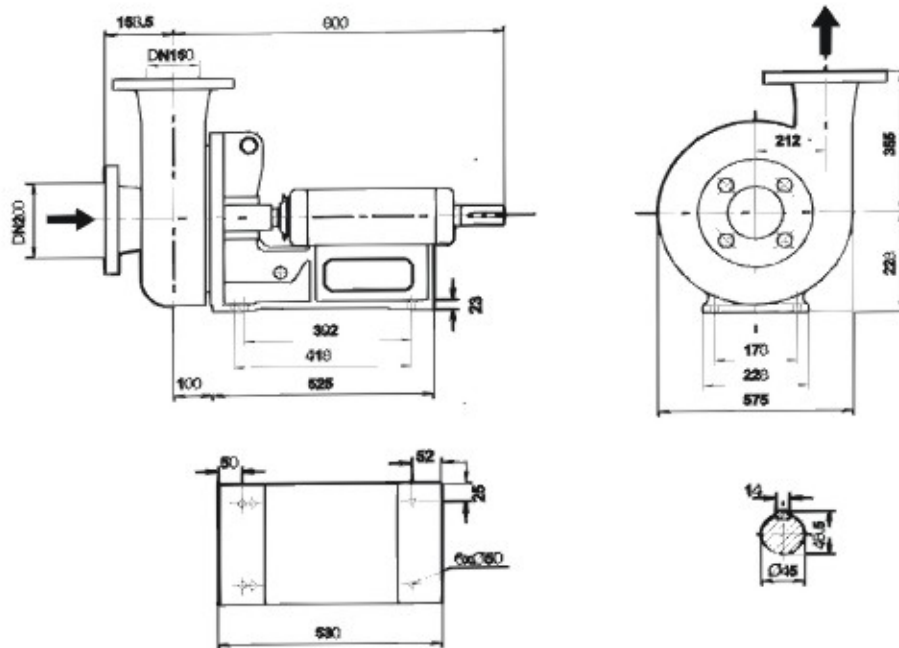
| RPM 2900 | Capacity (m ³ /h) | | | | | Imp. Dia. (mm) | Pump Range (mm) | | Motor Characteristics | | | Pipe Dia. (Inch) | |
|-------------|------------------------------|------|------|------|------|-------------------|--------------------|--------|-----------------------|------|----------|---------------------|--------|
| | 40 | 50 | 60 | 70 | 80 | | Inlet | outlet | Power * | | I Amp | Inlet | outlet |
| | | | | | | | | | kW | HP | | | |
| Head (m) | 71.3 | 69.8 | 67.5 | 64.1 | 60.0 | 220 | 80 | 50 | 30.0 | 40.0 | 58.5 | ** | *** |
| | 63.5 | 61.8 | 59.6 | 56.2 | 52.0 | 210 | | | 30.0 | 40.0 | 58.5 | | |
| | 55.6 | 54.0 | 51.5 | 47.8 | 42.6 | 200 | | | 22.0 | 30.0 | 44.0 | | |
| | 46.4 | 44.2 | 41.5 | 37.2 | 32.0 | 185 | | | 18.5 | 25.0 | 36.5 | | |





PUMPIRAN
German Technology

**HEAVY DUTY SLUDGE
PUMP
HDS 150-300**



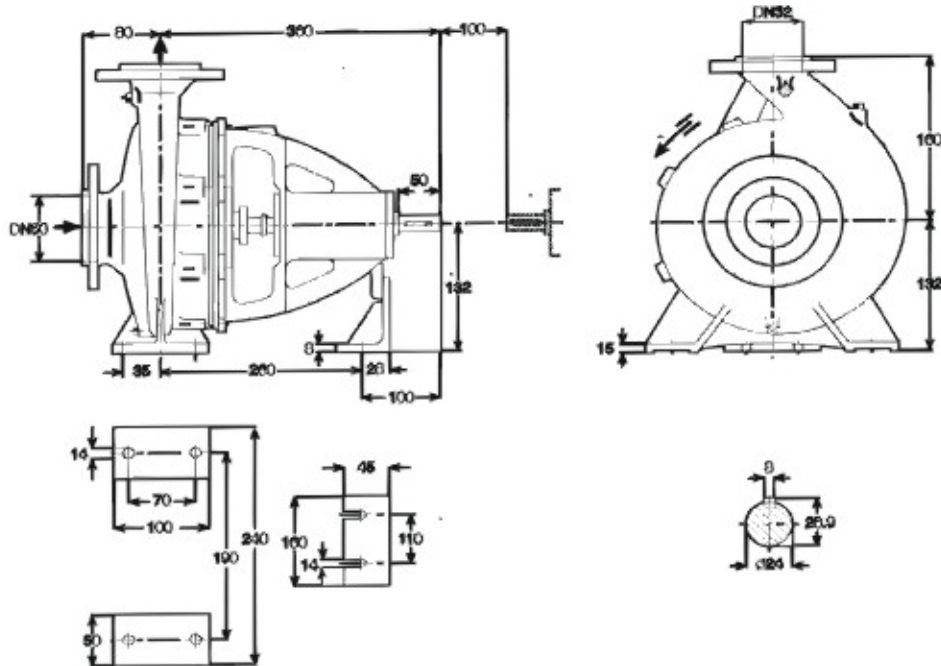
| RPM | Capacity (m ³ /h) | | | | | Imp. Dia. (mm) | Pump Flange (mm) | | Motor Characteristics | | | Pipe Dia. (Inch) | | |
|------|------------------------------|------|------|------|------|-------------------|---------------------|--------|-----------------------|------|----------|---------------------|--------|------|
| | 150 | 200 | 250 | 300 | 350 | | Inlet | outlet | Power * | | I Amp | Inlet | outlet | |
| | | | | | | | | | kW | HP | | | | |
| 1450 | 43.0 | 42.2 | 41.0 | 39.0 | 36.0 | 333 | 200 | 150 | 55.0 | 75.0 | 104 | ** | *** | |
| | 33.0 | 32.0 | 30.6 | 28.2 | 25.3 | | | | 305 | 45.0 | 60.0 | | | 85.5 |
| | 27.7 | 26.7 | 25.0 | 22.4 | 19.0 | | | | 280 | 37.0 | 50.0 | | | 70.5 |
| | 21.5 | 20.2 | 18.6 | 16.0 | - | | | | 255 | 30.0 | 40.0 | | | 58.5 |





PUMPIRAN
German Technology

Low Pressure Centrifugal Pump 32-160



| RPM | Capacity (m ³ /h) | | | | | Imp. Dia. (mm) | Pump Range (mm) | | Motor Characteristics | | | Pipe Dia. (Inch) | |
|------|------------------------------|-----|-----|-----|-----|----------------|-----------------|--------|-----------------------|------|-----|------------------|--------|
| | 6 | 8 | 10 | 12 | 14 | | Inlet | outlet | Power * | | I | Inlet | outlet |
| | | | | | | | | | kW | HP | | | |
| 1450 | 9.6 | 9.2 | 8.5 | 7.7 | 6.6 | 169 | 50 | 32 | 0.75 | 1 | 2.2 | *** | **** |
| | 8.5 | 8 | 7.2 | 6.2 | 5 | | | | 0.55 | 0.75 | 1.7 | | |
| | 7.3 | 6.7 | 5.8 | 4.6 | - | | | | 0.55 | 0.75 | 1.7 | | |
| | 6.2 | 5.4 | 4.3 | - | - | | | | 0.37 | 0.5 | 1.1 | | |

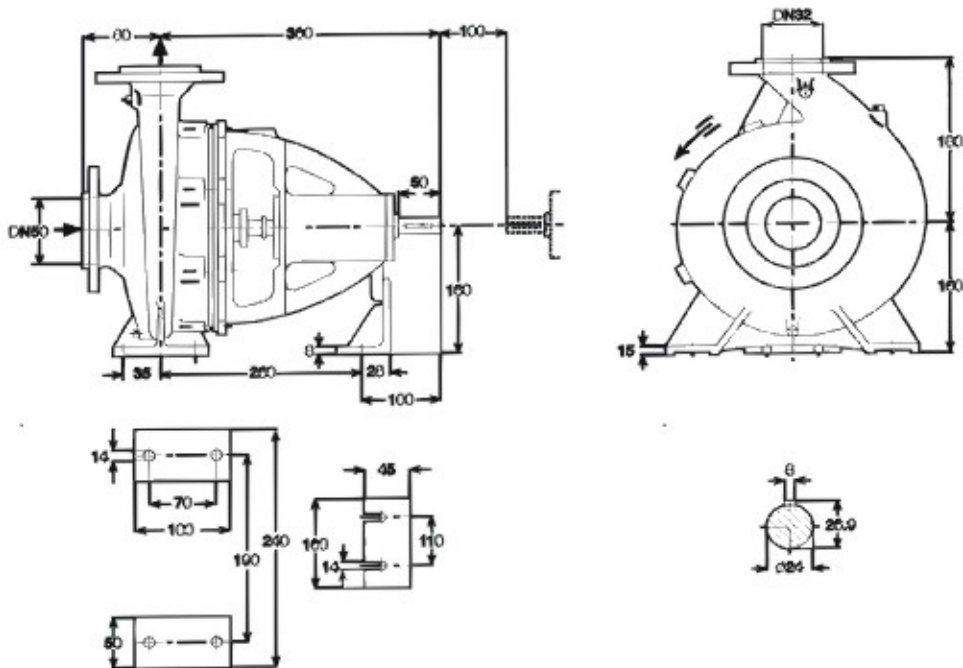
| RPM | Capacity (m ³ /h) | | | | | Imp. Dia. (mm) | Pump Range (mm) | | Motor Characteristics | | | Pipe Dia. (Inch) | |
|------|------------------------------|----|----|----|----|----------------|-----------------|--------|-----------------------|-----|------|------------------|--------|
| | 10 | 15 | 20 | 25 | 28 | | Inlet | outlet | Power * | | I | Inlet | outlet |
| | | | | | | | | | kW | HP | | | |
| 2900 | 39 | 37 | 34 | 30 | 27 | 169 | 50 | 32 | 5.5 | 7.5 | 11.6 | *** | **** |
| | 35 | 33 | 29 | 24 | 20 | | | | 4 | 5.5 | 8.7 | | |
| | 30 | 27 | 23 | 17 | - | | | | 3 | 4 | 6.6 | | |
| | 25 | 23 | 17 | - | - | | | | 3 | 4 | 6.6 | | |





PUMPIRAN
German Technology

Low Pressure Centrifugal Pump 32-200



| RPM | Capacity (m ³ /h) | | | | | Imp. Dia. (mm) | Pump Flange (mm) | | Motor Characteristics | | | Pipe Dia. (Inch) | |
|------|------------------------------|------|------|------|------|----------------|------------------|--------|-----------------------|------|-----|------------------|--------|
| | 4 | 5 | 6 | 7 | 8 | | Inlet | outlet | Power * | | I | Inlet | outlet |
| | | | | | | | | | kW | HP | | | |
| 1450 | 14.7 | 14.4 | 14 | 13.2 | 12 | 209 | 50 | 32 | 0.75 | 1 | 2.2 | ** | *** |
| | 13.4 | 13.1 | 12.5 | 11.8 | 10.4 | | | | 0.75 | 1 | 2.2 | | |
| | 12 | 11.6 | 11 | 9.8 | - | | | | 0.55 | 0.75 | 1.7 | | |
| | 10.6 | 10 | 9 | - | - | | | | 0.55 | 0.75 | 1.7 | | |

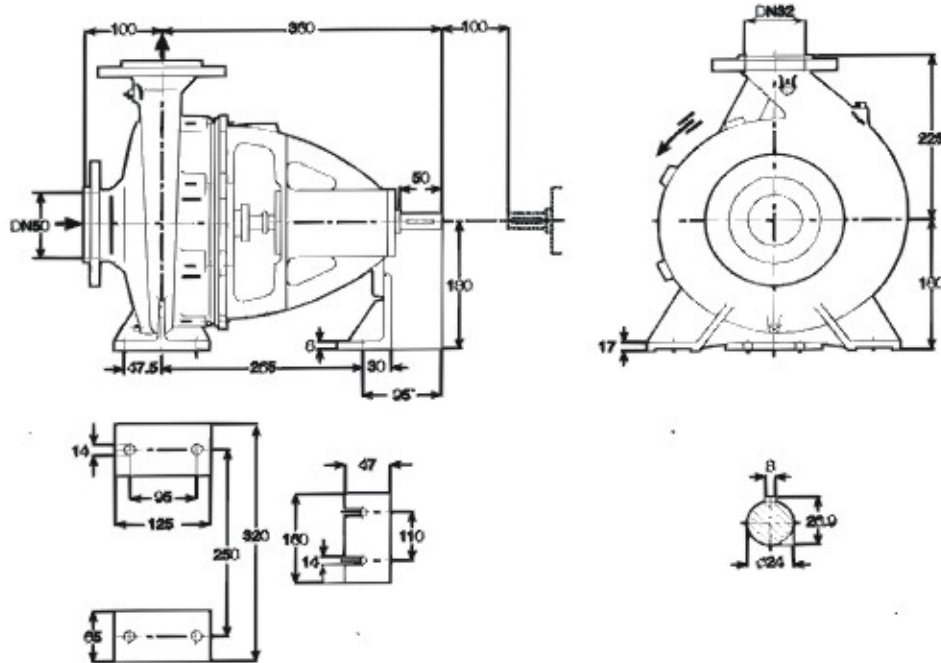
| RPM | Capacity (m ³ /h) | | | | | Imp. Dia. (mm) | Pump Flange (mm) | | Motor Characteristics | | | Pipe Dia. (Inch) | |
|------|------------------------------|------|----|------|----|----------------|------------------|--------|-----------------------|-----|------|------------------|--------|
| | 8 | 10 | 12 | 14 | 16 | | Inlet | outlet | Power * | | I | Inlet | outlet |
| | | | | | | | | | kW | HP | | | |
| 2900 | 59 | 57.5 | 56 | 53 | 48 | 209 | 50 | 32 | 7.5 | 10 | 15.7 | ** | *** |
| | 54 | 52.5 | 50 | 46.5 | - | | | | 5.5 | 7.5 | 11.6 | | |
| | 47.5 | 46 | 43 | 38 | - | | | | 4 | 5.5 | 8.7 | | |
| | 42 | 39.5 | 35 | - | - | | | | 4 | 5.5 | 8.7 | | |





PUMPIRAN
German Technology

Low Pressure Centrifugal Pump 32-250



| RPM | Capacity (m ³ /h) | | | | | Imp. Dia. (mm) | Pump Range (mm) | | Motor Characteristics | | | Pipe Dia. (Inch) | |
|----------|------------------------------|------|------|----|----|----------------|-----------------|--------|-----------------------|----|-----|------------------|--------|
| | 6 | 8 | 9 | 10 | 11 | | Inlet | outlet | Power * | | I | Inlet | outlet |
| | | | | | | | | | kW | HP | | | |
| 1450 | 21.5 | 20.5 | 19.5 | 18 | 14 | 259 | 50 | 32 | 2.2 | 3 | 5.2 | ** | *** |
| Head (m) | 20 | 18.5 | 17 | 15 | - | 250 | | | 1.5 | 2 | 4 | | |
| | 18 | 16.5 | 14.5 | - | - | 240 | | | 1.5 | 2 | 4 | | |
| | 16.5 | 14 | - | - | - | 230 | | | 1.5 | 2 | 4 | | |

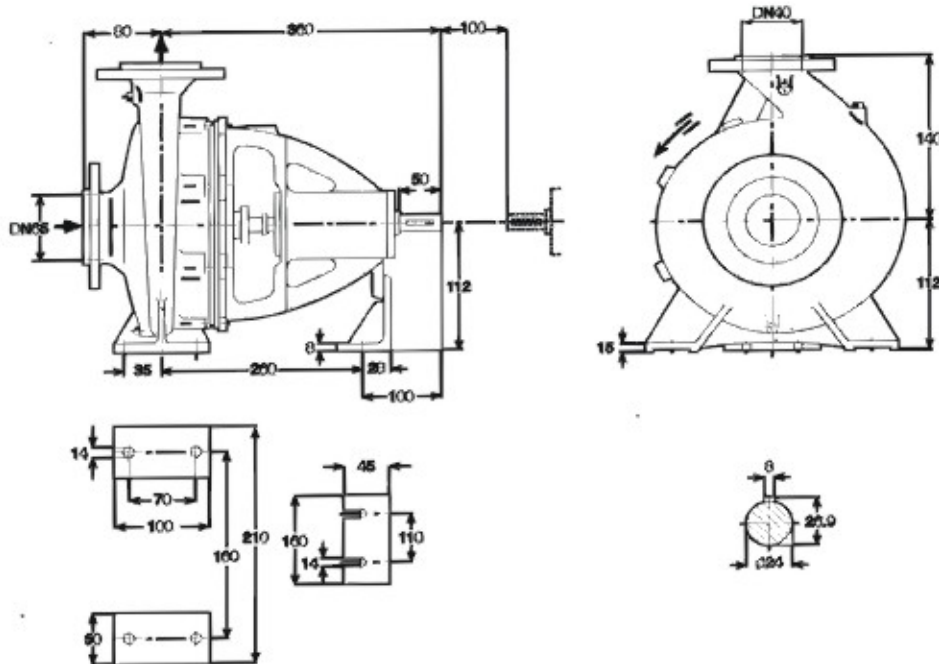
| RPM | Capacity (m ³ /h) | | | | | Imp. Dia. (mm) | Pump Range (mm) | | Motor Characteristics | | | Pipe Dia. (Inch) | |
|----------|------------------------------|----|----|----|----|----------------|-----------------|--------|-----------------------|----|------|------------------|--------|
| | 12 | 16 | 18 | 20 | 22 | | Inlet | outlet | Power * | | I | Inlet | outlet |
| | | | | | | | | | kW | HP | | | |
| 2900 | 86 | 82 | 78 | 73 | 59 | 259 | 50 | 32 | 15 | 20 | 29.2 | ** | *** |
| Head (m) | 80 | 75 | 70 | 60 | - | 250 | | | 15 | 20 | 29.2 | | |
| | 73 | 66 | 58 | - | - | 240 | | | 11 | 15 | 22 | | |
| | 66 | 57 | - | - | - | 230 | | | 11 | 15 | 22 | | |





PUMPIRAN
German Technology

Low Pressure Centrifugal Pump 40-125



| RPM | Capacity (m ³ /h) | | | | | Imp. Dia. (mm) | Pump Flange (mm) | | Motor Characteristics | | | Pipe Dia. (Inch) | |
|----------|------------------------------|-----|-----|-----|-----|----------------|------------------|--------|-----------------------|-----|-----|------------------|--------|
| | 6 | 10 | 14 | 18 | 20 | | Inlet | outlet | Power * | | I | Inlet | outlet |
| | | | | | | | | | kW | HP | | | |
| 1450 | 6.2 | 5.8 | 5 | 3.9 | 3.2 | 139 | 65 | 40 | 0.37 | 0.5 | 106 | ** | *** |
| Head (m) | 5.8 | 5.4 | 4.6 | 3.5 | 2.7 | 135 | | | 0.37 | 0.5 | 106 | | |
| | 5.3 | 4.8 | 4 | 2.8 | - | 130 | | | 0.37 | 0.5 | 106 | | |
| | 4.8 | 4.4 | 3.6 | 2.3 | - | 125 | | | 0.37 | 0.5 | 106 | | |

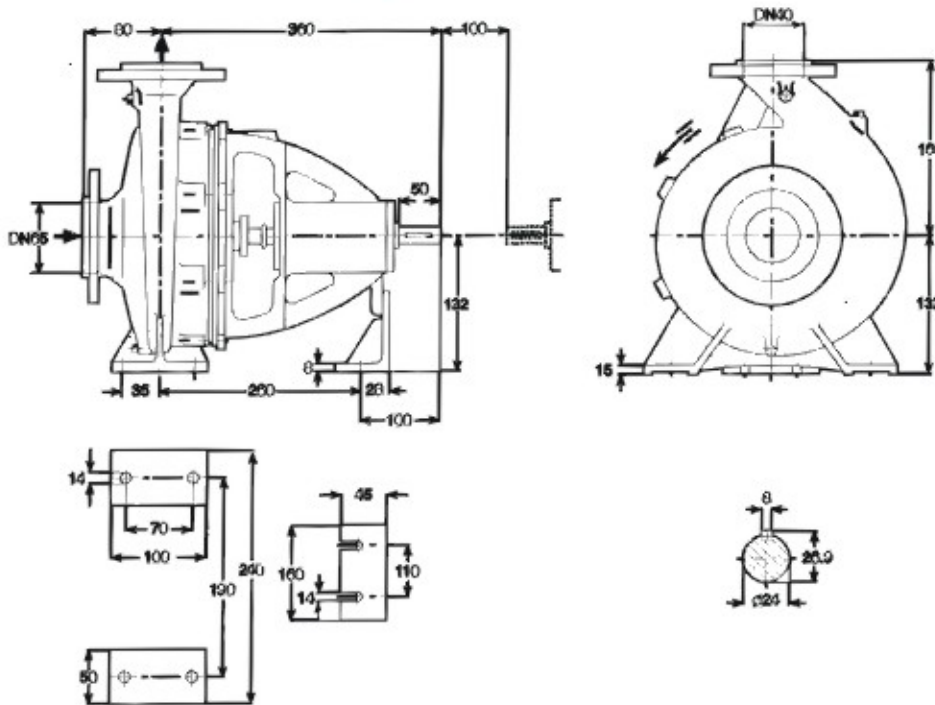
| RPM | Capacity (m ³ /h) | | | | | Imp. Dia. (mm) | Pump Flange (mm) | | Motor Characteristics | | | Pipe Dia. (Inch) | |
|----------|------------------------------|------|------|------|------|----------------|------------------|--------|-----------------------|----|-----|------------------|--------|
| | 10 | 20 | 30 | 35 | 40 | | Inlet | outlet | Power * | | I | Inlet | outlet |
| | | | | | | | | | kW | HP | | | |
| 2900 | 25 | 23 | 19 | 16 | 13 | 139 | 65 | 40 | 3 | 4 | 6.6 | ** | *** |
| Head (m) | 23.5 | 21.5 | 17.5 | 14.5 | 10.5 | 135 | | | 3 | 4 | 6.6 | | |
| | 21.5 | 19.5 | 15.5 | 12 | - | 130 | | | 3 | 4 | 6.6 | | |
| | 19.5 | 17.5 | 13 | 9.5 | - | 120 | | | 2.2 | 3 | 4.8 | | |





PUMPIRAN
German Technology

Low Pressure Centrifugal Pump 40-160



| RPM | Capacity (m ³ /h) | | | | | Imp. Dia. (mm) | Pump Flange (mm) | | Motor Characteristics | | | Pipe Dia. (Inch) | | |
|------|------------------------------|-----|-----|-----|-----|----------------|------------------|--------|-----------------------|------|------|------------------|--------|------|
| | 8 | 11 | 14 | 17 | 20 | | Inlet | outlet | Power * | | I | Inlet | outlet | |
| | | | | | | | | | kW | HP | | | | Amp |
| 1450 | 9.6 | 9.4 | 8.8 | 7.7 | 5.8 | 209. | 65 | 40 | 0.75 | 1 | 2.25 | ** | *** | |
| | 8.6 | 8.2 | 7.3 | 5.8 | - | | | | 200 | 0.75 | 1 | | | 2.25 |
| | 7.5 | 6.8 | 5.7 | - | - | | | | 190 | 0.55 | 0.75 | | | 1.73 |
| | 6.4 | 5.5 | 4 | - | - | | | | 180 | 0.37 | 0.5 | | | 1.11 |

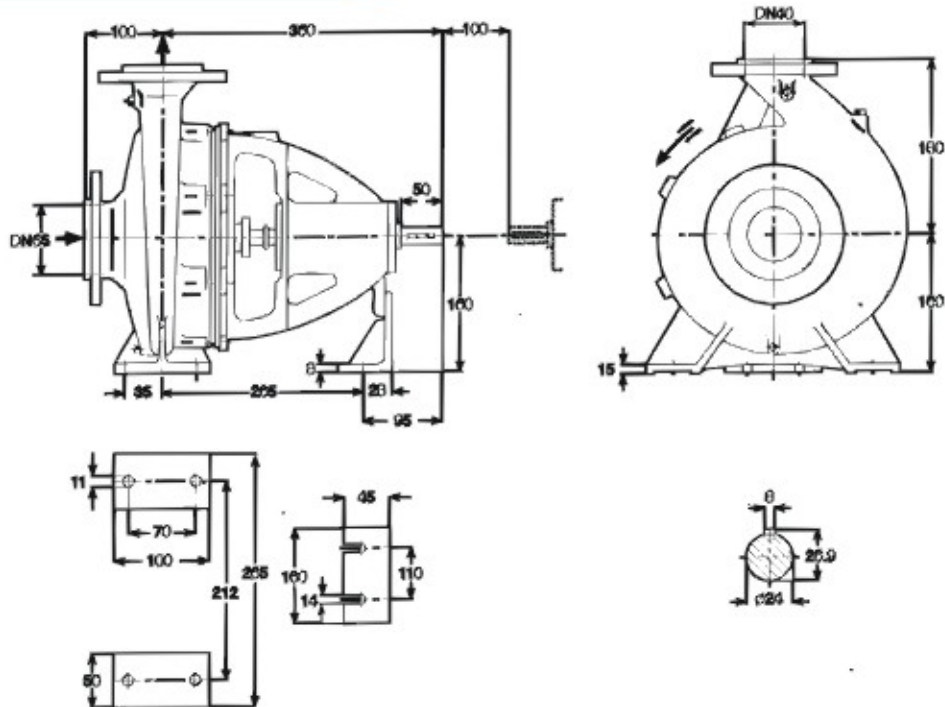
| RPM | Capacity (m ³ /h) | | | | | Imp. Dia. (mm) | Pump Flange (mm) | | Motor Characteristics | | | Pipe Dia. (Inch) | | |
|------|------------------------------|------|------|------|----|----------------|------------------|--------|-----------------------|-----|------|------------------|--------|------|
| | 15 | 25 | 30 | 35 | 40 | | Inlet | outlet | Power * | | I | Inlet | outlet | |
| | | | | | | | | | kW | HP | | | | Amp |
| 2900 | 39 | 36.5 | 34 | 29.5 | 24 | 169 | 65 | 40 | 5.5 | 7.5 | 11.6 | ** | *** | |
| | 34.5 | 31.5 | 27.5 | 22 | - | | | | 160 | 5.5 | 7.5 | | | 11.6 |
| | 30 | 25 | 20.5 | - | - | | | | 150 | 4 | 5.5 | | | 9.15 |
| | 26 | 19 | - | - | - | | | | 140 | 3 | 4 | | | 6.95 |





PUMPIRAN
German Technology

Low Pressure Centrifugal Pump 40-200



| RPM | Capacity (m ³ /h) | | | | | Imp. Dia. (mm) | Pump Flange (mm) | | Motor Characteristics | | | Pipe Dia. (Inch) | |
|----------|------------------------------|------|------|------|-----|----------------|------------------|--------|-----------------------|-----|-----|------------------|--------|
| | 8 | 11 | 14 | 16 | 18 | | Inlet | outlet | Power * | | I | Inlet | outlet |
| | | | | | | | | | kW | HP | | | |
| 1450 | 14.3 | 13.7 | 12.6 | 11.5 | 9.8 | 209. | 65 | 40 | 1.5 | 2 | 4 | ** | *** |
| Head (m) | 13 | 12.3 | 10.8 | 9.4 | - | 200 | | | 1.1 | 1.5 | 2.8 | | |
| | 11.5 | 10.5 | 8.7 | - | - | 190 | | | 1.1 | 1.5 | 2.8 | | |
| | 10.2 | 8.9 | - | - | - | 180 | | | 0.75 | 1 | 2.2 | | |

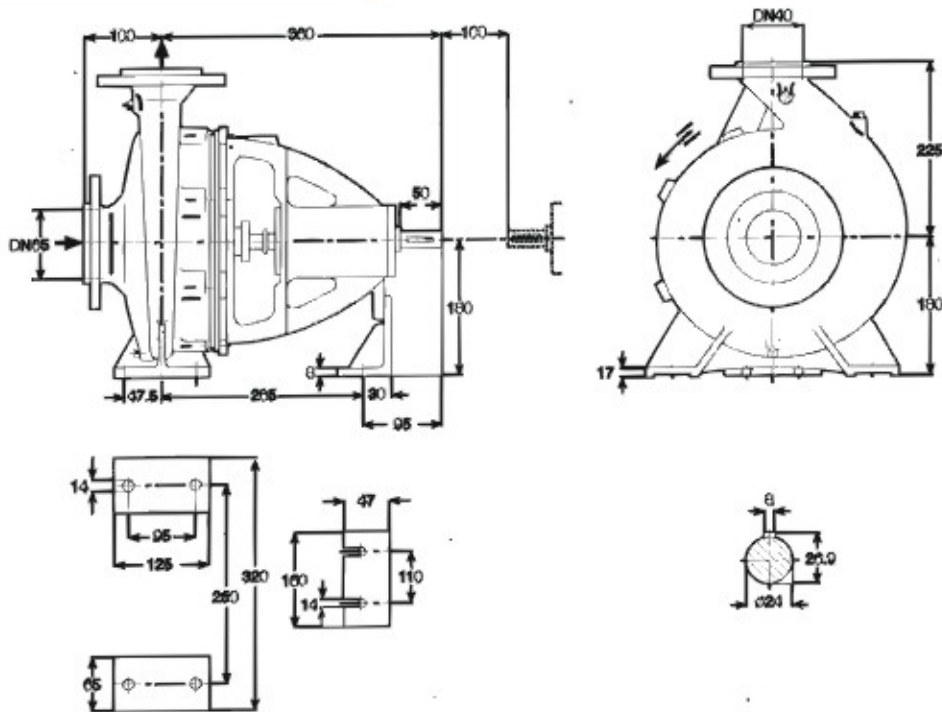
| RPM | Capacity (m ³ /h) | | | | | Imp. Dia. (mm) | Pump Flange (mm) | | Motor Characteristics | | | Pipe Dia. (Inch) | |
|----------|------------------------------|------|----|------|----|----------------|------------------|--------|-----------------------|-----|------|------------------|--------|
| | 15 | 20 | 25 | 30 | 35 | | Inlet | outlet | Power * | | I | Inlet | outlet |
| | | | | | | | | | kW | HP | | | |
| 2900 | 57.5 | 56 | 53 | 48 | 41 | 209. | 65 | 40 | 11 | 15 | 22 | ** | *** |
| Head (m) | 52.5 | 50 | 46 | 40 | 31 | 200 | | | 11 | 15 | 22 | | |
| | 46.5 | 44 | 39 | 31.5 | - | 190 | | | 7.5 | 10 | 15.7 | | |
| | 41 | 37.5 | 31 | - | - | 180 | | | 5.5 | 7.5 | 11.6 | | |





PUMPIRAN
German Technology

Low Pressure Centrifugal Pump 40-250



| RPM | Capacity (m ³ /h) | | | | | Imp. Dia. (mm) | Pump Flange (mm) | | Motor Characteristics | | | Pipe Dia. (Inch) | |
|------|------------------------------|------|------|------|------|----------------|------------------|--------|-----------------------|----|-----|------------------|--------|
| | 15 | 20 | 22 | 25 | 30 | | Inlet | outlet | Power * | | I | Inlet | outlet |
| | | | | | | | | | kW | HP | | | |
| 1450 | 23 | 215 | 21 | 19.2 | 16 | 259 | 65 | 40 | 3 | 4 | 7.5 | ** | *** |
| | 21 | 19.5 | 18.5 | 17 | 13.2 | 250 | | | 3 | 4 | 7.5 | | |
| | 19 | 17 | 16 | 14.2 | - | 240 | | | 3 | 4 | 7.5 | | |
| | 16.5 | 15 | 11.5 | - | - | 230 | | | 2.2 | 3 | 5.2 | | |

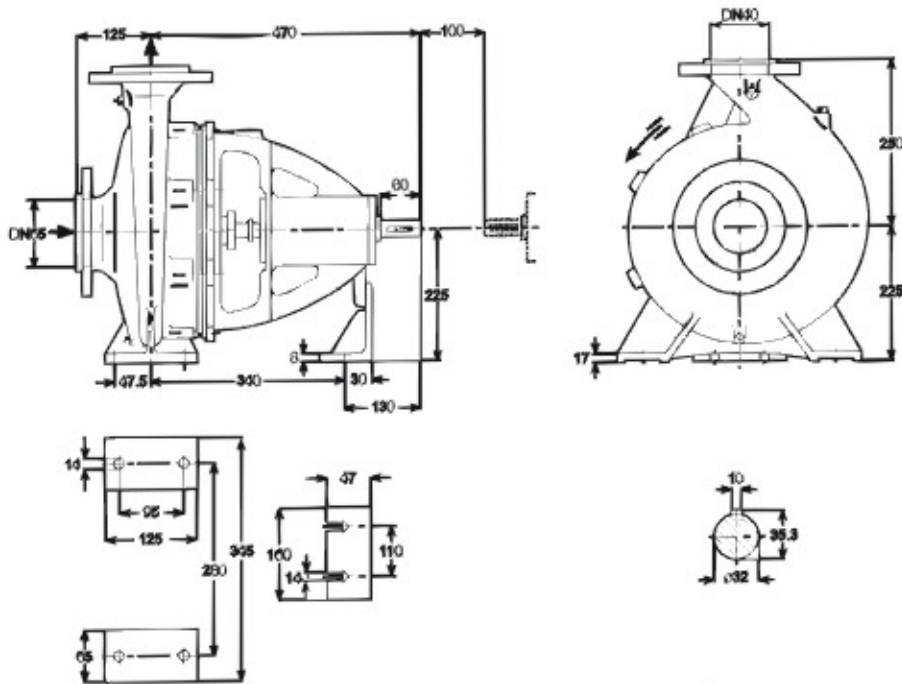
| RPM | Capacity (m ³ /h) | | | | | Imp. Dia. (mm) | Pump Flange (mm) | | Motor Characteristics | | | Pipe Dia. (Inch) | |
|------|------------------------------|----|----|----|----|----------------|------------------|--------|-----------------------|----|------|------------------|--------|
| | 25 | 35 | 40 | 45 | 55 | | Inlet | outlet | Power * | | I | Inlet | outlet |
| | | | | | | | | | kW | HP | | | |
| 2900 | 92 | 89 | 86 | 83 | 72 | 259 | 65 | 40 | 22 | 30 | 39.5 | ** | *** |
| | 85 | 82 | 78 | 72 | 58 | 250 | | | 22 | 30 | 39.5 | | |
| | 77 | 72 | 68 | 62 | - | 240 | | | 18.5 | 25 | 34 | | |
| | 69 | 64 | 59 | 53 | - | 230 | | | 15 | 20 | 29.2 | | |





PUMPIRAN
German Technology

Low Pressure Centrifugal Pump 40-315



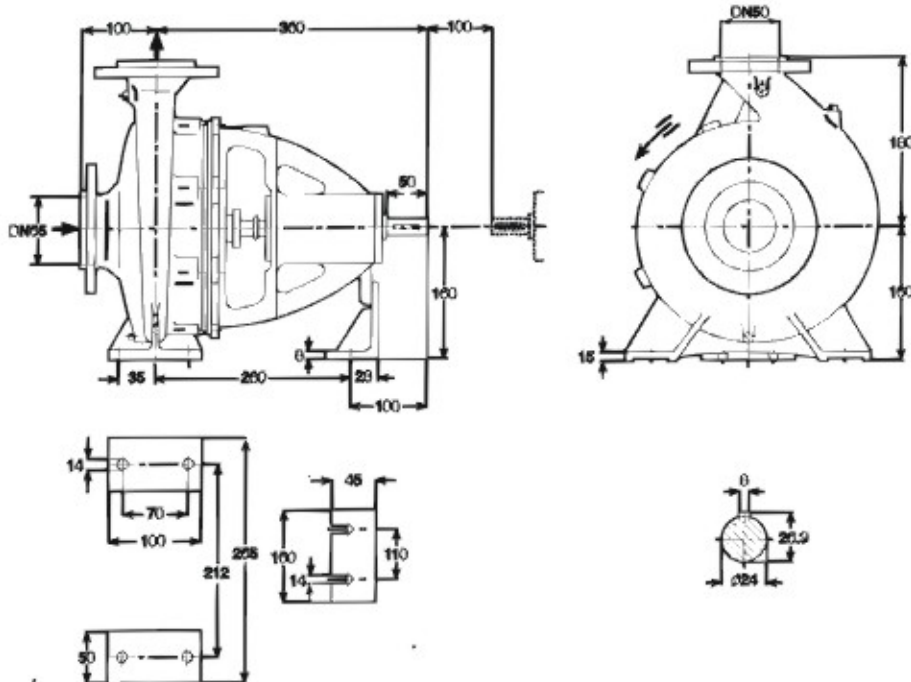
| RPM | Capacity (m ³ /h) | | | | | Imp. Dia. (mm) | Pump Flange (mm) | | Motor Characteristics | | | Pipe Dia. (Inch) | |
|------|------------------------------|------|------|----|------|----------------|------------------|--------|-----------------------|-----|------|------------------|--------|
| | 8 | 10 | 12 | 14 | 16 | | Inlet | outlet | Power * | | I | Inlet | outlet |
| | | | | | | | | | kW | HP | | | |
| 1450 | 37.5 | 37 | 35.5 | 33 | 28.5 | 319 | 65 | 40 | 4 | 5.5 | 9.26 | ** | *** |
| | 34 | 33.5 | 32 | 30 | 22 | | | | 4 | 5.5 | 9.26 | | |
| | 31 | 30.5 | 29 | 26 | - | | | | 4 | 5.5 | 9.26 | | |
| | 28.5 | 27.5 | 26 | 22 | - | | | | 3 | 4 | 7.89 | | |





PUMPIRAN
German Technology

Low Pressure Centrifugal Pump 50-160



| RPM | Capacity (m ³ /h) | | | | | Imp. Dia. (mm) | Pump Flange (mm) | | Motor Characteristics | | | Pipe Dia. (Inch) | |
|------|------------------------------|-----|-----|-----|-----|----------------|------------------|--------|-----------------------|------|-----|------------------|--------|
| | 15 | 20 | 25 | 30 | 35 | | Inlet | outlet | Power * | | I | Inlet | outlet |
| | | | | | | | | | kW | HP | | | |
| 1450 | 9 | 8.8 | 8.6 | 8.1 | 7.5 | 169 | 65 | 50 | 1.5 | 2 | 4 | ** | *** |
| | 7.9 | 7.8 | 7.4 | 6.8 | - | 160 | | | 1.1 | 1.5 | 2.8 | | |
| | 7 | 6.7 | 6.2 | 5.4 | - | 150 | | | 0.75 | 1 | 2.2 | | |
| | 6 | 5.6 | 5 | - | - | 140 | | | 0.55 | 0.75 | 1.7 | | |

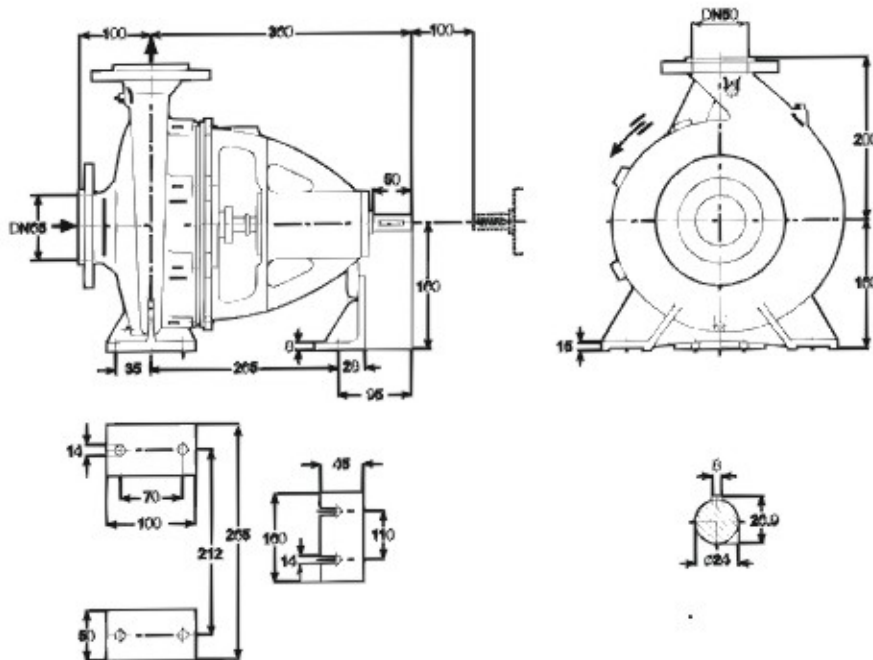
| RPM | Capacity (m ³ /h) | | | | | Imp. Dia. (mm) | Pump Flange (mm) | | Motor Characteristics | | | Pipe Dia. (Inch) | |
|------|------------------------------|------|------|------|----|----------------|------------------|--------|-----------------------|-----|------|------------------|--------|
| | 30 | 40 | 50 | 60 | 70 | | Inlet | outlet | Power * | | I | Inlet | outlet |
| | | | | | | | | | kW | HP | | | |
| 2900 | 57 | 35.3 | 34.2 | 32.5 | 30 | 169 | 65 | 50 | 11 | 15 | 22 | ** | *** |
| | 52 | 31 | 29.8 | 27.5 | 24 | 160 | | | 7.5 | 10 | 15.7 | | |
| | 46.5 | 27 | 25 | 21.5 | - | 150 | | | 7.5 | 10 | 15.7 | | |
| | 41.5 | 22.5 | 19.8 | - | - | 140 | | | 5.5 | 7.5 | 11.6 | | |





PUMPIRAN
German Technology

Low Pressure Centrifugal Pump 50-200



| RPM | Capacity (m ³ /h) | | | | | Imp. Dia. (mm) | Pump Range (mm) | | Motor Characteristics | | | Pipe Dia. (Inch) | |
|----------|------------------------------|------|------|------|------|----------------|-----------------|--------|-----------------------|----|-----|------------------|--------|
| | 20 | 25 | 30 | 35 | 40 | | Inlet | outlet | Power * | | | Inlet | outlet |
| | | | | | | | | | kW | HP | Amp | | |
| 1450 | 14.2 | 13.7 | 13.2 | 12.4 | 11.2 | 209 | 65 | 50 | 2.2 | 3 | 5.2 | ** | *** |
| | 12.8 | 12.3 | 11.6 | 10.6 | 9.2 | | | | 2.2 | 3 | 5.2 | | |
| | 11.3 | 10.8 | 10 | 8.8 | - | | | | 1.5 | 2 | 4 | | |
| | 10 | 9.3 | 8.2 | - | - | | | | 1.5 | 2 | 4 | | |
| Head (m) | | | | | | | | | | | | | |

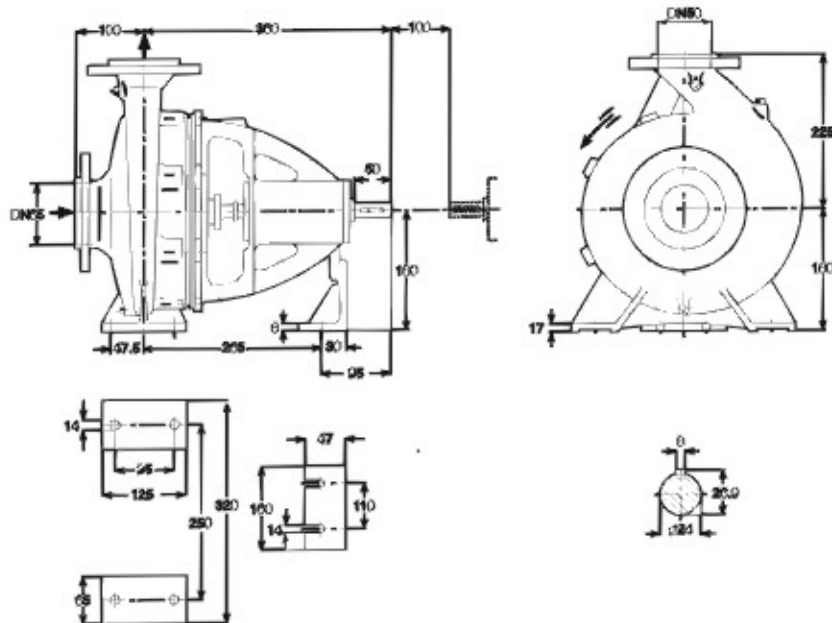
| RPM | Capacity (m ³ /h) | | | | | Imp. Dia. (mm) | Pump Range (mm) | | Motor Characteristics | | | Pipe Dia. (Inch) | |
|----------|------------------------------|------|------|------|----|----------------|-----------------|--------|-----------------------|----|------|------------------|--------|
| | 30 | 45 | 60 | 75 | 90 | | Inlet | outlet | Power * | | | Inlet | outlet |
| | | | | | | | | | kW | HP | Amp | | |
| 2900 | 57 | 55.5 | 52.5 | 47 | 39 | 209 | 65 | 50 | 18.5 | 25 | 34 | ** | *** |
| | 52 | 50 | 46 | 40 | - | | | | 15 | 20 | 29.2 | | |
| | 46.5 | 44 | 39.5 | 31.5 | - | | | | 11 | 15 | 22 | | |
| | 41.5 | 38 | 32.5 | - | - | | | | 11 | 15 | 22 | | |
| Head (m) | | | | | | | | | | | | | |





PUMPIRAN
German Technology

Low Pressure Centrifugal Pump 50-250



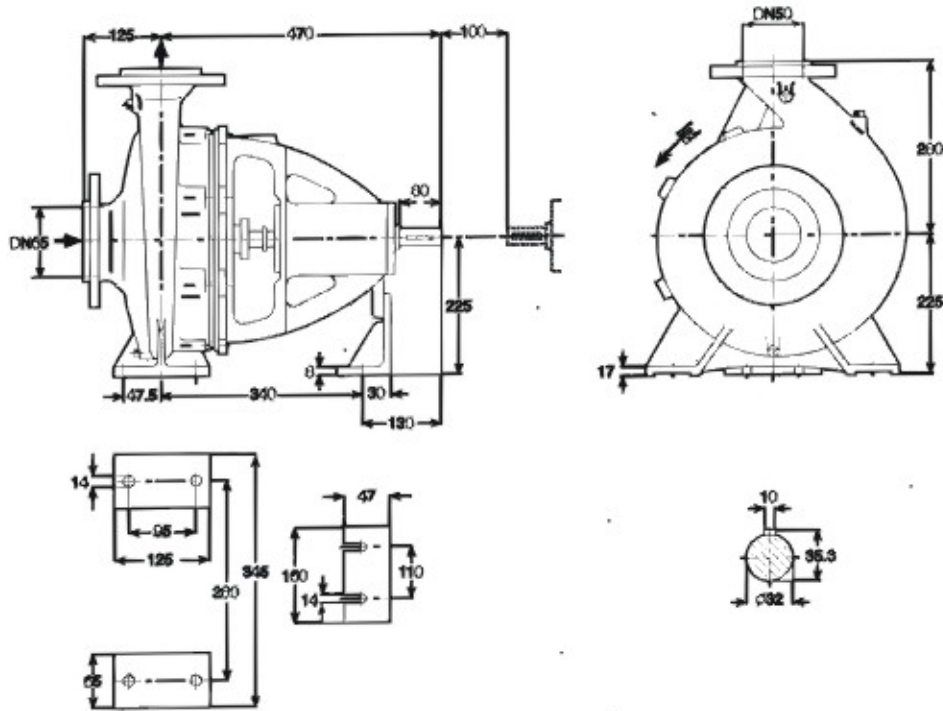
| RPM | Capacity (m ³ /h) | | | | | Imp. Dia. (mm) | Pump Flange (mm) | | Motor Characteristics | | | Pipe Dia. (inch) | |
|------|------------------------------|------|------|------|------|----------------|------------------|--------|-----------------------|-----|------|------------------|--------|
| | 20 | 25 | 30 | 35 | 40 | | Inlet | outlet | Power * | | I | Inlet | outlet |
| | | | | | | | | | kW | HP | | | |
| 1450 | 21.5 | 20.4 | 19.2 | 17.4 | 14.8 | 259 | 65 | 50 | 4 | 5.5 | 8.8 | ** | *** |
| | 19.5 | 18.5 | 17 | 14.8 | 12 | | | | 3 | 4 | 7.5 | | |
| | 17.5 | 16.5 | 14.7 | 12.6 | 9.6 | | | | 3 | 4 | 7.5 | | |
| | 15.5 | 14.5 | 12.8 | 10.5 | - | | | | 2.2 | 3 | 5.2 | | |
| 2900 | 30 | 45 | 60 | 70 | 80 | 259 | 65 | 50 | 30 | 41 | 54 | ** | *** |
| | 82 | 78 | 70 | 62 | 53 | | | | 22 | 30 | 39.5 | | |
| | 75 | 70.3 | 62 | 45 | - | | | | 18.5 | 25 | 34 | | |
| | 69 | 63 | 55 | 46 | - | | | | 18.5 | 25 | 34 | | |





PUMPIRAN
German Technology

Low Pressure Centrifugal Pump 50-315



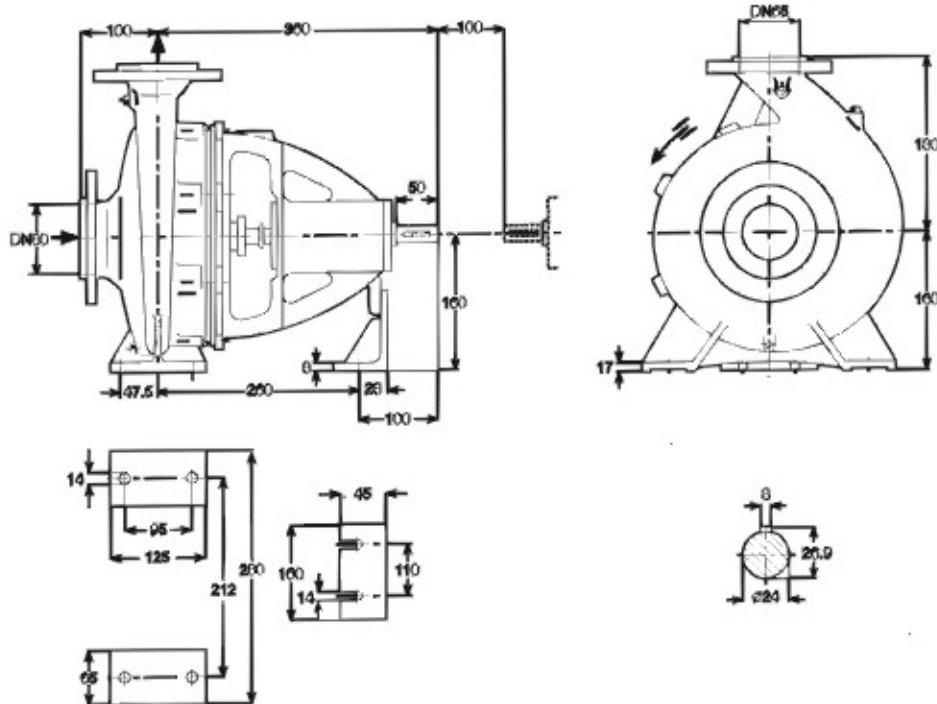
| RPM | Capacity (m ³ /h) | | | | | Imp. Dia. (mm) | Pump Range (mm) | | Motor Characteristics | | | Pipe Dia. (Inch) | |
|------|------------------------------|------|------|------|------|----------------|-----------------|--------|-----------------------|-----|------|------------------|--------|
| | 20 | 25 | 30 | 35 | 40 | | Inlet | outlet | Power * | | I | Inlet | outlet |
| | | | | | | | | | kW | HP | | | |
| 1450 | 35 | 34 | 32.6 | 30.5 | 27.7 | 319 | 65 | 50 | 7.5 | 10 | 16.5 | ** | *** |
| | 32.5 | 31.3 | 30 | 28 | 25 | | | | 7.5 | 10 | 16.5 | | |
| | 29.5 | 28.5 | 27 | 25.3 | 22.5 | | | | 7.5 | 10 | 16.5 | | |
| | 27 | 26 | 24.9 | 23.1 | 19.3 | | | | 5.5 | 7.5 | 12.2 | | |





PUMPIRAN
German Technology

Low Pressure Centrifugal Pump 65-125



| RPM | Capacity (m ³ /h) | | | | | Imp. Dia. (mm) | Pump Range (mm) | | Motor Characteristics | | | Pipe Dia. (Inch) | |
|----------|------------------------------|-----|-----|-----|-----|----------------|-----------------|--------|-----------------------|------|------|------------------|--------|
| | 30 | 40 | 50 | 60 | 70 | | Inlet | outlet | Power * | | I | Inlet | outlet |
| | | | | | | | | | kW | HP | | | |
| 1450 | 5.9 | 5.6 | 5.2 | 4.6 | 3.8 | 139 | 80 | 65 | 1.5 | 2 | 4 | ** | *** |
| | 4.8 | 4.4 | 3.8 | 2.8 | 1.8 | | | | 1.1 | 1.5 | 2.85 | | |
| | 3.9 | 3.4 | 2.7 | 1.8 | - | | | | 0.75 | 1 | 2.25 | | |
| | 3 | 2.4 | 1.8 | - | - | | | | 0.55 | 0.75 | 1.73 | | |
| Head (m) | | | | | | | | | | | | | |

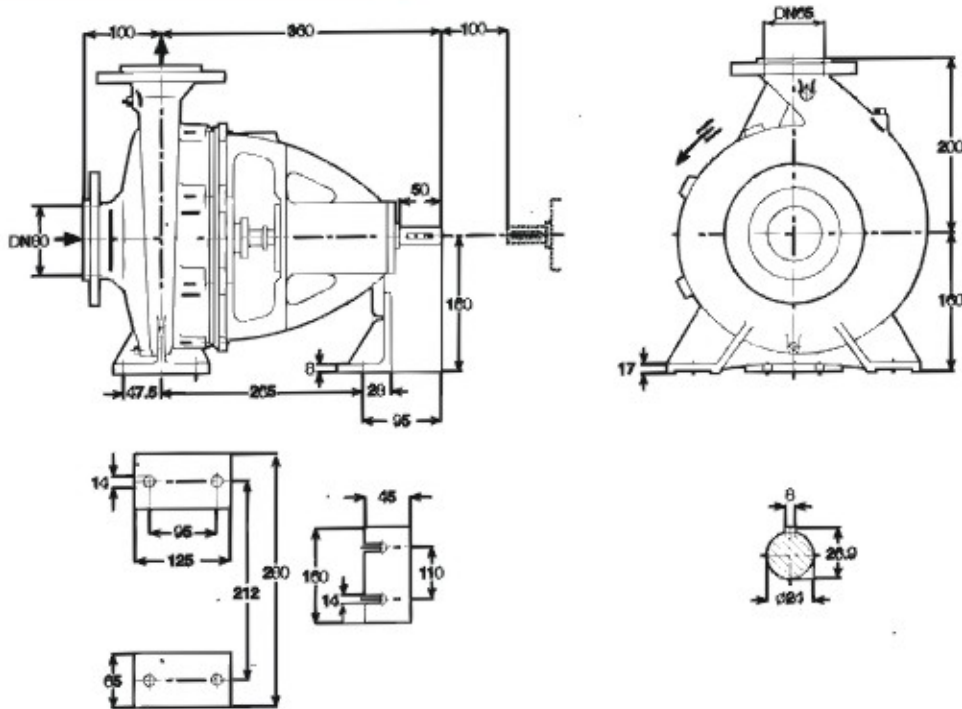
| RPM | Capacity (m ³ /h) | | | | | Imp. Dia. (mm) | Pump Flange (mm) | | Motor Characteristics | | | Pipe Dia. (Inch) | |
|----------|------------------------------|------|------|------|------|----------------|------------------|--------|-----------------------|-----|------|------------------|--------|
| | 60 | 80 | 100 | 120 | 140 | | Inlet | outlet | Power * | | I | Inlet | outlet |
| | | | | | | | | | kW | HP | | | |
| 2900 | 23 | 22 | 20.3 | 17.8 | 14.3 | 139 | 80 | 65 | 11 | 15 | 22 | ** | *** |
| | 19.5 | 17.8 | 15.3 | 11.8 | 7.5 | | | | 7.5 | 10 | 15.7 | | |
| | 15.7 | 13.6 | 10.7 | 7 | - | | | | 5.5 | 7.5 | 11.6 | | |
| | 12 | 10 | 7.2 | - | - | | | | 4 | 5.5 | 9.15 | | |
| Head (m) | | | | | | | | | | | | | |





PUMPIRAN
German Technology

Low Pressure Centrifugal Pump 65-160



| RPM | Capacity (m ³ /h) | | | | | Imp. Dia. (mm) | Pump Flange (mm) | | Motor Characteristics | | | Pipe Dia. (Inch) | |
|------|------------------------------|-----|-----|-----|-----|----------------|------------------|--------|-----------------------|-----|------|------------------|--------|
| | 20 | 40 | 50 | 70 | 80 | | Inlet | outlet | Power * | | I | Inlet | outlet |
| | | | | | | | | | kW | HP | | | |
| 1450 | 9.6 | 9 | 8.3 | 6.1 | 4.6 | 169 | 80 | 65 | 2.2 | 3 | 5.25 | ** | *** |
| | 8.6 | 7.7 | 6.9 | 4.4 | 2.9 | | | | 1.5 | 2 | 4 | | |
| | 7.3 | 6.3 | 5.4 | 2.8 | - | | | | 1.5 | 2 | 4 | | |
| | 6.1 | 5 | 4.1 | - | - | | | | 1.1 | 1.5 | 2.85 | | |

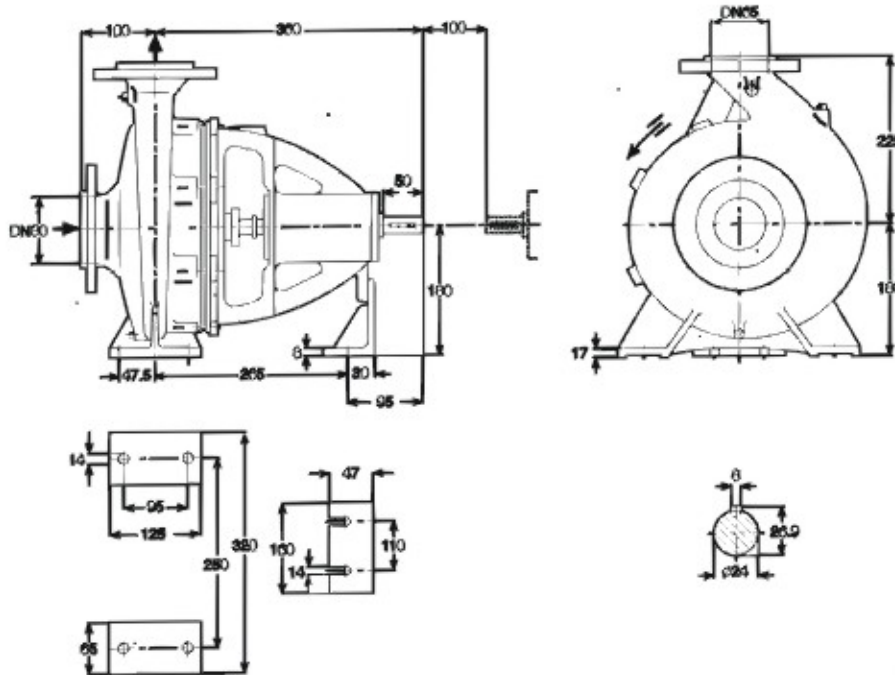
| RPM | Capacity (m ³ /h) | | | | | Imp. Dia. (mm) | Pump Flange (mm) | | Motor Characteristics | | | Pipe Dia. (Inch) | |
|------|------------------------------|----|------|-----|-----|----------------|------------------|--------|-----------------------|----|------|------------------|--------|
| | 40 | 80 | 100 | 140 | 160 | | Inlet | outlet | Power * | | I | Inlet | outlet |
| | | | | | | | | | kW | HP | | | |
| 2900 | 38.7 | 36 | 33.5 | 25 | 19 | 209 | 80 | 65 | 15 | 20 | 29.2 | ** | *** |
| | 34.3 | 31 | 28 | 18 | - | | | | 15 | 20 | 29.2 | | |
| | 29 | 25 | 21.5 | - | - | | | | 11 | 15 | 22 | | |
| | 25 | 21 | 17.5 | - | - | | | | 7.5 | 10 | 15.7 | | |





PUMPIRAN
German Technology

Low Pressure Centrifugal Pump 65-200



| RPM | Capacity (m ³ /h) | | | | | Imp. Dia. (mm) | Pump Flange (mm) | | Motor Characteristics | | | Pipe Dia. (Inch) | |
|------|------------------------------|------|------|------|------|----------------|------------------|--------|-----------------------|-----|------|------------------|--------|
| | 20 | 40 | 50 | 60 | 70 | | Inlet | outlet | Power * | | I | Inlet | outlet |
| | | | | | | | | | kW | HP | | | |
| 1450 | 14.9 | 14.1 | 12.7 | 12.2 | 10.9 | 209 | 80 | 65 | 4 | 5.5 | 8.8 | ** | *** |
| | 13.7 | 12.7 | 11 | 10.4 | 8.7 | 200 | | | 3 | 4 | 7.5 | | |
| | 12.3 | 9.7 | 9.5 | 8.8 | 7 | 190 | | | 3 | 4 | 7.5 | | |
| | 10.8 | 8.1 | 7.9 | 7.2 | 5.4 | 180 | | | 2.2 | 3 | 5.25 | | |

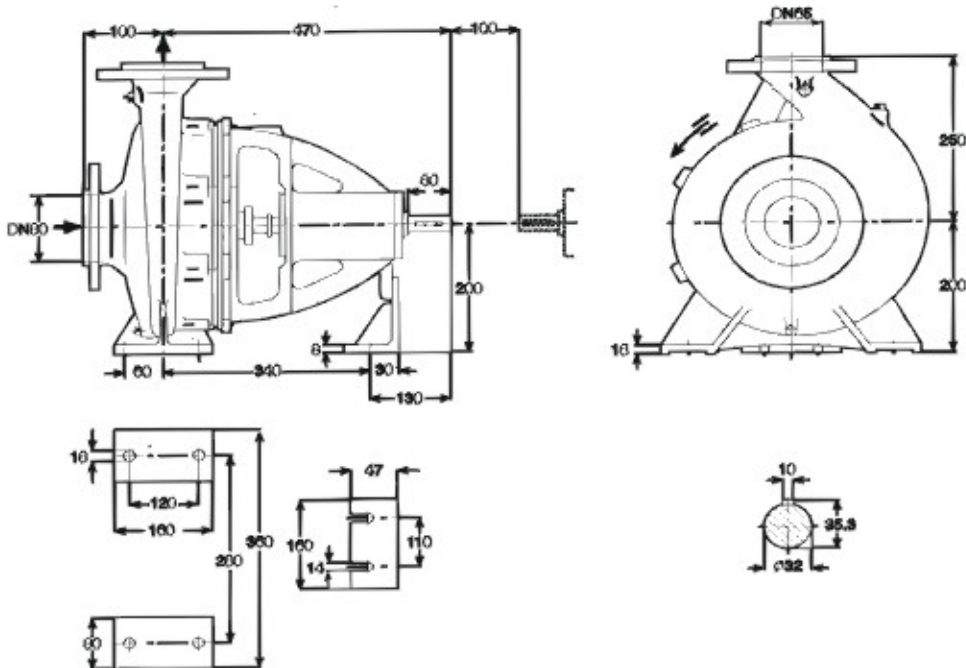
| RPM | Capacity (m ³ /h) | | | | | Imp. Dia. (mm) | Pump Flange (mm) | | Motor Characteristics | | | Pipe Dia. (Inch) | |
|------|------------------------------|------|------|------|------|----------------|------------------|--------|-----------------------|----|------|------------------|--------|
| | 40 | 80 | 110 | 140 | 160 | | Inlet | outlet | Power * | | I | Inlet | outlet |
| | | | | | | | | | kW | HP | | | |
| 2900 | 59 | 56 | 51 | 43.4 | 36.5 | 209 | 80 | 65 | 30 | 41 | 54 | ** | *** |
| | 53.5 | 50 | 43 | 33.5 | - | 200 | | | 22 | 30 | 39.5 | | |
| | 48 | 44 | 37.5 | 28 | - | 190 | | | 22 | 30 | 39.5 | | |
| | 42.5 | 37.5 | 30 | - | - | 180 | | | 15 | 20 | 29.2 | | |





PUMPIRAN
German Technology

Low Pressure Centrifugal Pump 65-250



| RPM | Capacity (m ³ /h) | | | | | Imp. Dia. (mm) | Pump Flange (mm) | | Motor Characteristics | | | Pipe Dia. (Inch) | |
|----------|------------------------------|------|------|------|------|----------------|------------------|--------|-----------------------|-----|------|------------------|--------|
| | 25 | 40 | 60 | 70 | 80 | | Inlet | outlet | Power * | | I | Inlet | outlet |
| | | | | | | | | | kW | HP | | | |
| 1450 | 23.6 | 22.6 | 20.2 | 18.5 | 15.9 | 259 | 80 | 65 | 7.5 | 10 | 16.5 | *** | **** |
| Head (m) | 21.5 | 20.7 | 18.4 | 16.4 | 13.5 | 250 | | | 7.5 | 10 | 16.5 | | |
| | 19.6 | 18.6 | 16 | 13.7 | 9.7 | 240 | | | 5.5 | 7.5 | 12.2 | | |
| | 18 | 17 | 14 | 11.5 | - | 230 | | | 5.5 | 7.5 | 12.2 | | |

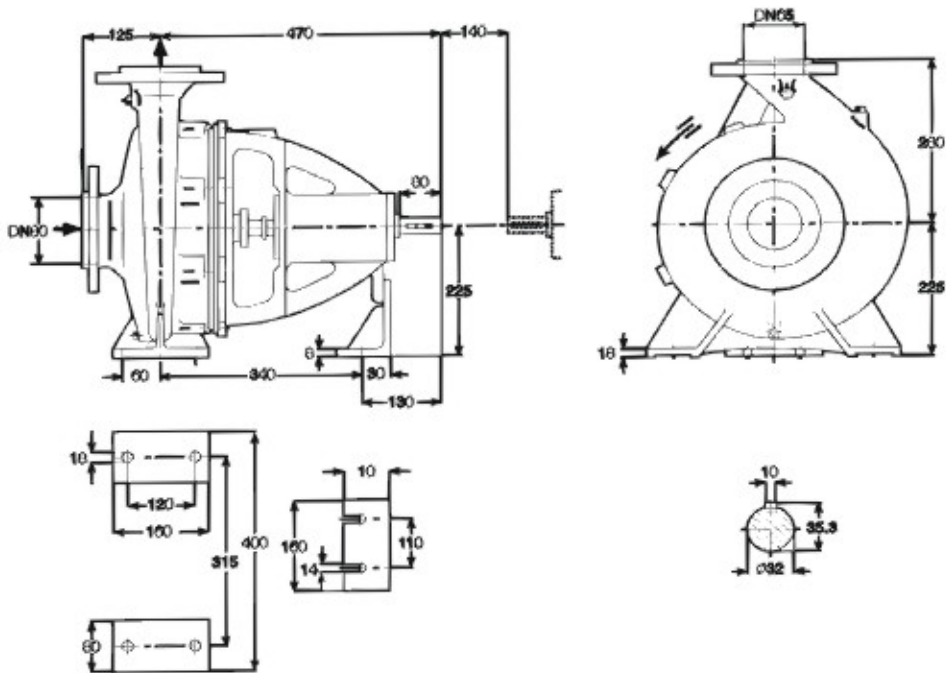
| RPM | Capacity (m ³ /h) | | | | | Imp. Dia. (mm) | Pump Flange (mm) | | Motor Characteristics | | | Pipe Dia. (Inch) | |
|----------|------------------------------|----|------|-----|-----|----------------|------------------|--------|-----------------------|----|------|------------------|--------|
| | 40 | 80 | 120 | 140 | 160 | | Inlet | outlet | Power * | | I | Inlet | outlet |
| | | | | | | | | | kW | HP | | | |
| 2900 | 93 | 90 | 80.5 | 73 | 63 | 259 | 80 | 65 | 55 | 75 | 98 | *** | **** |
| Head (m) | 86 | 83 | 73 | 65 | 54 | 250 | | | 45 | 61 | 81.5 | | |
| | 78 | 74 | 64 | 55 | 41 | 240 | | | 45 | 61 | 81.5 | | |
| | 72 | 68 | 57 | 47 | - | 230 | | | 37 | 50 | 67 | | |





PUMPIRAN
German Technology

Low Pressure Centrifugal Pump 65-315



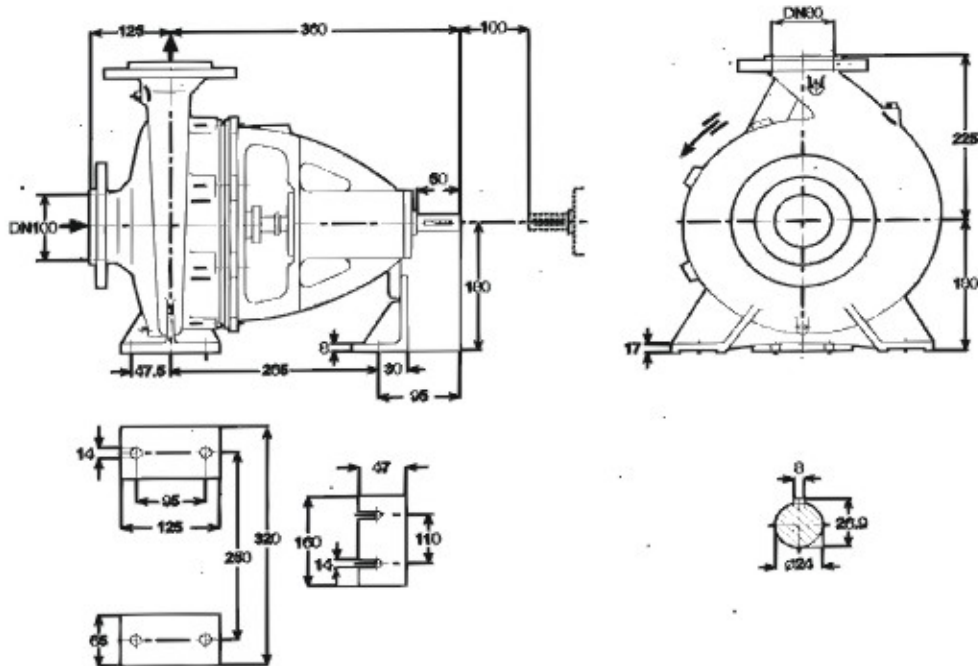
| RPM | Capacity (m ³ /h) | | | | | Imp. Dia. (mm) | Pump Flange (mm) | | Motor Characteristics | | | Pipe Dia. (Inch) | |
|------|------------------------------|------|------|------|------|----------------|------------------|--------|-----------------------|----|------|------------------|--------|
| | 25 | 40 | 60 | 70 | 80 | | Inlet | outlet | Power * | | I | Inlet | outlet |
| | | | | | | | | | kW | HP | | | |
| 1450 | 35 | 33.5 | 30.5 | 27.5 | 24 | 319 | 80 | 65 | 11 | 15 | 23.8 | ** | *** |
| | 32 | 31 | 28 | 25 | 21.5 | | | | 11 | 15 | 23.8 | | |
| | 30 | 29 | 25.5 | 22.5 | 18 | | | | 11 | 15 | 23.8 | | |
| | 28 | 26.7 | 23 | 20 | - | | | | 11 | 15 | 23.8 | | |





PUMPIRAN
German Technology

Low Pressure Centrifugal Pump 80-160



| RPM | Capacity (m ³ /h) | | | | | Imp. Dia. (mm) | Pump Flange (mm) | | Motor Characteristics | | | Pipe Dia. (Inch) | |
|------|------------------------------|-----|-----|-----|-----|----------------|------------------|--------|-----------------------|-----|------|------------------|--------|
| | 50 | 70 | 90 | 110 | 130 | | Inlet | outlet | Power * | | I | Inlet | outlet |
| | | | | | | | | | kW | HP | | | |
| 1450 | 9.3 | 8.9 | 8.2 | 6.9 | 4.9 | 169 | 100 | 80 | 3 | 4 | 7.89 | *** | **** |
| | 8 | 7.4 | 6.4 | 5 | 3 | | | | 2.2 | 3 | 5.52 | | |
| | 6.6 | 6 | 5 | 3.5 | - | | | | 2.2 | 3 | 5.52 | | |
| | 5.4 | 4.7 | 3.6 | 2.2 | - | | | | 1.1 | 1.5 | 2.85 | | |

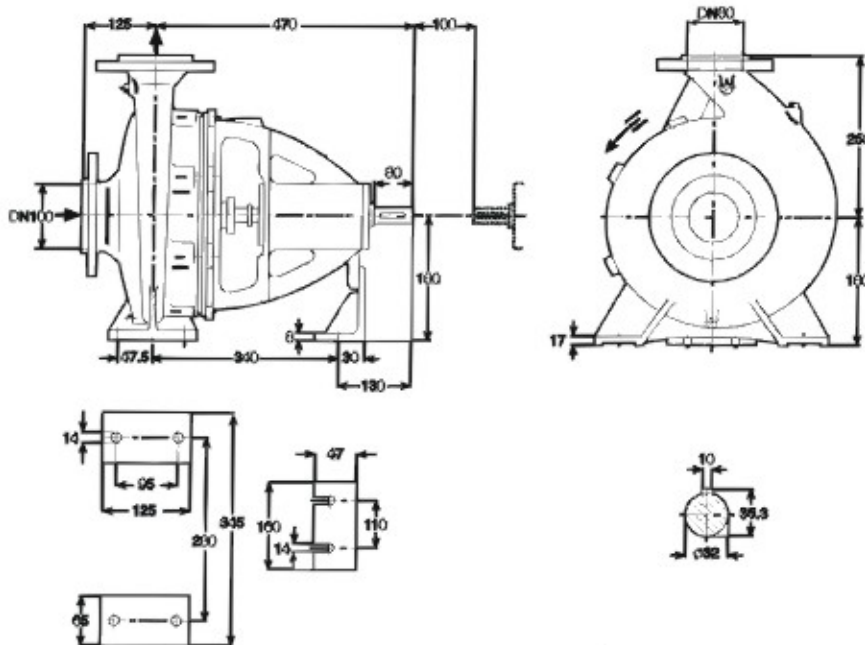
| RPM | Capacity (m ³ /h) | | | | | Imp. Dia. (mm) | Pump Flange (mm) | | Motor Characteristics | | | Pipe Dia. (Inch) | |
|------|------------------------------|------|------|------|------|----------------|------------------|--------|-----------------------|----|------|------------------|--------|
| | 50 | 100 | 150 | 200 | 250 | | Inlet | outlet | Power * | | I | Inlet | outlet |
| | | | | | | | | | kW | HP | | | |
| 2900 | 36.3 | 35.4 | 33.1 | 28.5 | 19.2 | 169 | 100 | 80 | 22 | 30 | 39.5 | *** | **** |
| | 32.3 | 31 | 28.1 | 23 | 13.5 | | | | 18.5 | 25 | 34 | | |
| | 27.7 | 26 | 22.8 | 17.2 | - | | | | 15 | 20 | 29.2 | | |
| | 23.3 | 21.7 | 17.8 | 12.1 | - | | | | 11 | 15 | 22 | | |





PUMPIRAN
German Technology

Low Pressure Centrifugal Pump 80-200



| RPM | Capacity (m ³ /h) | | | | | Imp. Dia. (mm) | Pump Range (mm) | | Motor Characteristics | | | Pipe Dia. (hch) | |
|------|------------------------------|------|------|------|-----|-------------------|--------------------|--------|-----------------------|-----|------|--------------------|--------|
| | 40 | 60 | 80 | 100 | 120 | | Inlet | outlet | Power * | | | Inlet | outlet |
| | | | | | | | | | kW | HP | Amp | | |
| 1450 | 14.3 | 13.6 | 12.4 | 10.5 | 7.7 | 209 | 100 | 80 | 5.5 | 7.5 | 12.2 | ** | *** |
| | 12.9 | 12 | 10.8 | 8.6 | 5.8 | | | | 4 | 5.5 | 8.8 | | |
| | 11.3 | 10.5 | 9.1 | 6.7 | - | | | | 4 | 5.5 | 8.8 | | |
| | 9.9 | 9 | 7.4 | 4.7 | - | | | | 3 | 4 | 7.5 | | |

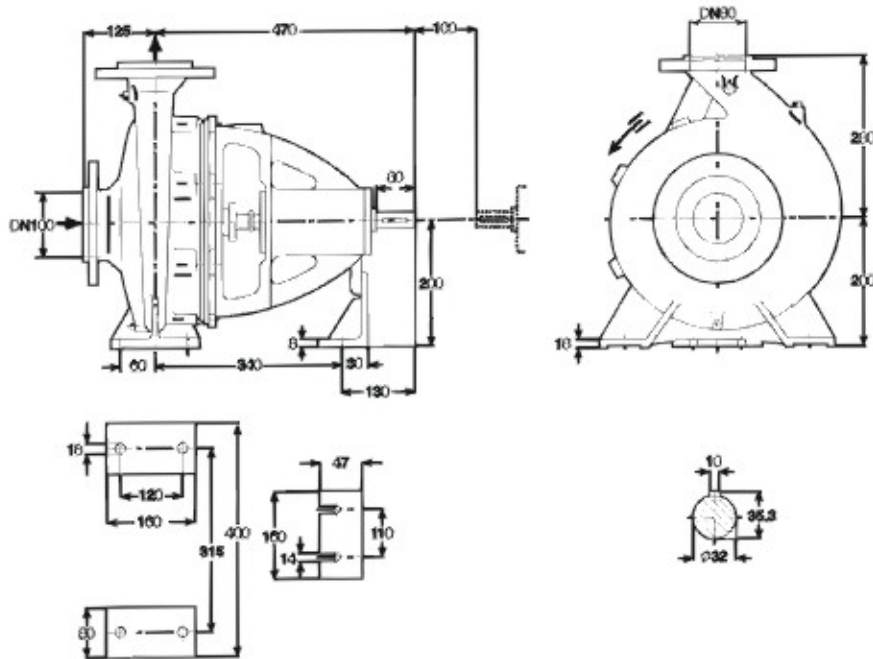
| RPM | Capacity (m ³ /h) | | | | | Imp. Dia. (mm) | Pump Range (mm) | | Motor Characteristics | | | Pipe Dia. (hch) | |
|------|------------------------------|-----|------|------|------|-------------------|--------------------|--------|-----------------------|----|------|--------------------|--------|
| | 80 | 120 | 160 | 200 | 240 | | Inlet | outlet | Power * | | | Inlet | outlet |
| | | | | | | | | | kW | HP | Amp | | |
| 2900 | 56.5 | 54 | 49.5 | 42.5 | 31.5 | 209 | 100 | 80 | 37 | 50 | 67 | ** | *** |
| | 51 | 48 | 43 | 35 | 24 | | | | 30 | 41 | 54 | | |
| | 45.5 | 42 | 36.5 | 27 | - | | | | 30 | 41 | 54 | | |
| | 40 | 36 | 30 | 20 | - | | | | 22 | 30 | 39.5 | | |





PUMPIRAN
German Technology

Low Pressure Centrifugal Pump 80-250



| RPM | Capacity (m ³ /h) | | | | | Imp. Dia. (mm) | Pump Range (mm) | | Motor Characteristics | | | Pipe Dia. (Inch) | | |
|------|------------------------------|------|------|------|------|----------------|-----------------|--------|-----------------------|-----|------|------------------|--------|------|
| | 40 | 70 | 90 | 120 | 140 | | Inlet | outlet | Power * | | | Inlet | outlet | |
| | | | | | | | | | kW | HP | Amp | | | |
| 1450 | 22.6 | 21.8 | 20.6 | 17 | 13.2 | 259 | 100 | 80 | 11 | 15 | 23.8 | ** | *** | |
| | 21.3 | 20.3 | 18.8 | 14.7 | 11 | | | | 250 | 11 | 15 | | | 23.8 |
| | 19.2 | 18 | 16.3 | 11.8 | 8.1 | | | | 240 | 7.5 | 10 | | | 16.5 |
| | 17.5 | 16.2 | 14.2 | 9.2 | - | | | | 230 | 7.5 | 10 | | | 16.5 |

| RPM | Capacity (m ³ /h) | | | | | Imp. Dia. (mm) | Pump Range (mm) | | Motor Characteristics | | | Pipe Dia. (Inch) | | |
|------|------------------------------|-----|-----|-----|-----|----------------|-----------------|--------|-----------------------|-----|-----|------------------|--------|------|
| | 50 | 100 | 150 | 200 | 250 | | Inlet | outlet | Power * | | | Inlet | outlet | |
| | | | | | | | | | kW | HP | Amp | | | |
| 2900 | 92 | 90 | 86 | 79 | 66 | 259 | 100 | 80 | 75 | 102 | 131 | ** | *** | |
| | 85 | 83 | 79 | 71 | 56 | | | | 250 | 75 | 102 | | | 131 |
| | 78 | 76 | 72 | 61 | 44 | | | | 240 | 55 | 75 | | | 98 |
| | 71 | 68 | 63 | 53 | - | | | | 230 | 45 | 61 | | | 81.5 |





PUMPIRAN
German Technology

Psi. Group (Holding Company)
Pumpiran
Navid Sahand
Navid Motor
Fulad Yadak
Persia Pump
Seman Energy Pump
Tolombeh Sazan Tabriz
Rasha
Moeen Abshar
Peyvand Avijeh



3W SYSTEMS (PRIVATE) LIMITED
(Exclusive Distributor In Pakistan)

Head Office:

34-A, Street # 27, Valley Road,
Westridge, Rawalpindi-Pakistan
TEL: +92-51-5460640, +92-51-5469150
FAX: +92-51-5460641

Lahore Office:

FF-240, CCA, DHA, Phase IV,
Lahore-Pakistan
TEL: +92-42-35747561, +92-42-35747562
FAX: +92-42-35749895